

Location	Valhall Field
Latitude	N 56° 13' 37,4"
Longitude	E 03° 26' 9,4"
Coordinate Datum	WGS 84
Water Depth	66 meters



Marine Hazards	
VFS is Normally Unmanned Installation	
Safety zone 500 m	

Specific Marine Hazards

For weather side work, the Aker BP's vessel impact table shall apply for limitations

Communications	General	Emergency	Helicopter
Valhall Control Room	VHF Ch. 14	VHF Ch. 16 +47 51 35 10 00	Communication 118.050/130.550 MHz
	+47 51 35 10 00		+ 51 35 80 30
	ccrvalhall@akerbp.com		aviation@akerbp.com
Valhall OIM	+47 51 35 11 00	UHF channels vessel - deck	
	val.plattformsief@akerbp.com	PH Ch. 5	VFN Ch. 10/11
Valhall FA Logistikk	+47 51 35 10 35	IP Ch. 9	VFW Ch. 7/10/11
	val.fa.logistikk@akerbp.com	WP Ch. 5	VFS Ch. 10/11
	Deck / Crane	UHF Ch. 10	HOD Ch. 10/11
Stand by vessel	VHF Ch. 14	DP Ch. 6	Near standby for all above assets
			Ch. 1

Crane details	SWL	Radius	Operational Crane Limits
North East Crane 1/2/3 fall	12/34/60	30 m	Max wind speed for internal and supply vessel handling: 40 knots

Nearby Installations distance				Shore Distances	
Valhall	3 Nm NNW	AkerBP	Embla	9 Nm NW	ConocoP Stavanger
VFN	6,5 Nm NNW	AkerBP	Eldfisk	11 Nm NW	ConocoP Aberdeen
VFW	3 Nm NW	AkerBP	Ekofisk	21 Nm NNW	ConocoP Bergen
HOD	3 Nm SSE	AkerBP			Approx 255 Nm NNE

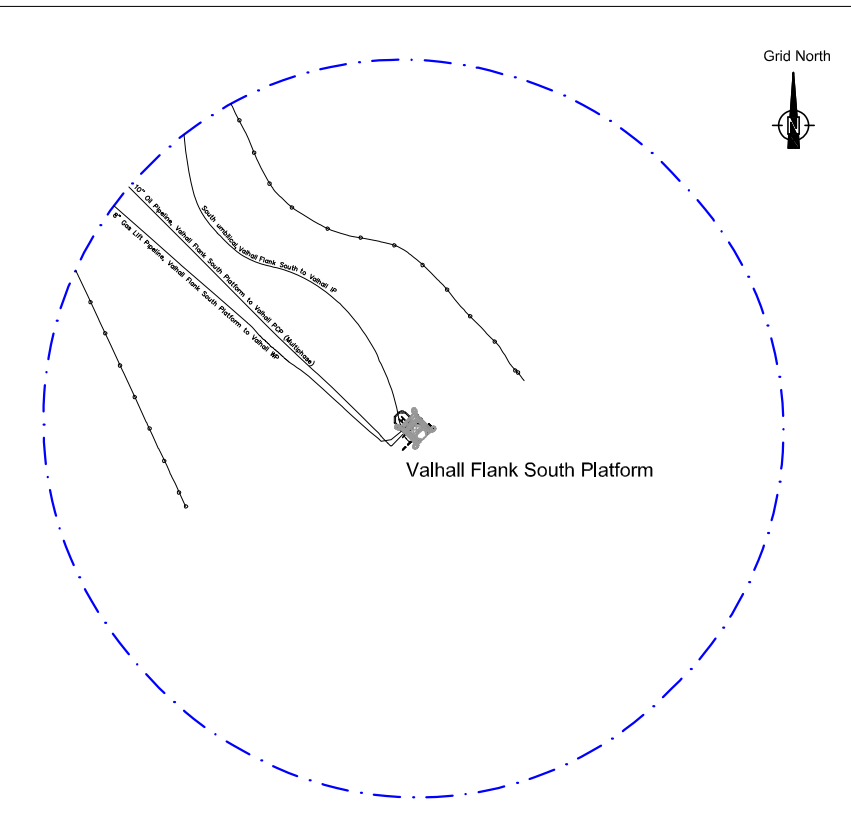
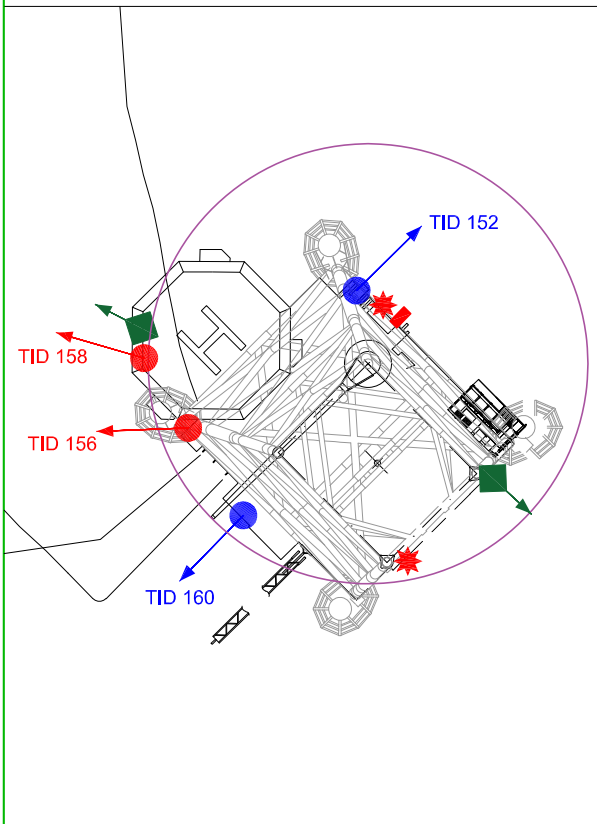
Alarms	Fire & Emergency	Abandon
Sound	Intermittent	Continuous Variable Tone
Light	Flashing Yellow	Flashing Yellow

Bulk Connections	Cargo Transfer Operations
Potable water	5" Weco
Drill water	5" Weco
Diesel	5" Avery Hardol
Brine/OBM	4" Weco
Cement	5" Weco
Barites/ Bentonite	5" Weco
Cargo Transfer Operations to take place according to; 55-000277 - Instructions to Master	
G-OMO & G-OMO 8-A Safety zone entry checklist	
Valhall Readiness Support Document VAL-000761, section 3	
Prior to commencing bulk operations at VFS, there will be a procedure checklist handed over to the Vessel due to the complex nature of the storage system.	

Vessel Co-ordination	
1 hour prior to arrival in the field, contact should be made with;	Valhall standby vessel and Equinor Marine VHF CH 14
Vessel movement within the field are controlled and monitored by;	Valhall FA logistikk
Permission to enter safety zone should be obtained from	Valhall standby vessel (delegated by Valhall OIM)
On entry & exit of the safety zone, establish contact and inform;	Valhall standby vessel and Equinor Marine VHF CH 14

Radius ID
See attached field drawing

Valhall Flank South Platform Topside Reference Systems and Crane Radius



Legend	
Fanbeam	500m Zone
Radius 550	Pipelines
Radius 700	LOFS Cables
Prism (single 360 degrees)	Crane Radius (Max radius = 30 metres)
	Cargo Hoses

Notes

Please inform Aker BP Survey and Marine departments of any changes regarding reference system locations and codes.

Geospatialteam@akerbp.com
Marinereports@akerbp.com

Drawing Rev.04 11.09.2020 RMC

Valhall Frequency List

PORTABLE UHF RADIOS					
CH	Tx freq. (MHz)	Tx PL Tone	Rx Freq.(MHz)	Rx PL Tone	Channel Info
1	406,7125	69,3	406,7125	69,3	Near standby operations
5	406,6625	79,7	406,6625	79,7	
6	406,7625	82,5	406,7625	82,5	
7	406,9375	85,4	406,9375	85,4	
9	407,0875	91,5	407,0875	91,5	
10	407,1125	94,8	407,1125	100	
11	407,1875	97,4	407,1875	97,4	
13	457,525	-	457,525	-	Marine UHF channel
14	457,55	-	457,55	-	Marine UHF channel
15	457,575	-	457,575	-	Marine UHF channel
16	467,525	-	467,525	-	Marine UHF channel

Valhall Area Vessel Impact Details

Prepared by Nils Hellevig May 29 2007, updated analyses 2014
 Valhall FW prepared by Pawel Debek 10.03.2021, Hod B 22.11.2021

Installation	Capacity MJ	Hs= 4m Max Vessel	5000 t	7000 t	10000 t
			Max Hs at given vessel size		
Hod	12,8	4571	3,82	3,12	2,70
Hod B	50	10000	4,00	4,00	4,00
Valhall DP	24,9	8893	5,33	4,36	3,77
Valhall FN	14	5000	4,00	3,27	2,83
Valhall FS	14	5000	4,00	3,27	2,83
Valhall FW	50	10000	4,00	4,00	4,00
Valhall IP	44,9	16036	7,16	5,85	5,07
Valhall PCP	17	6071	4,41	3,60	3,12
Valhall PH	21	7500	4,90	4,00	3,46
Valhall WP East	23	8214	5,13	4,19	3,63
Valhall WP West	14,66	5236	4,09	3,34	2,89